

REVISIONS

DESCRIPTION

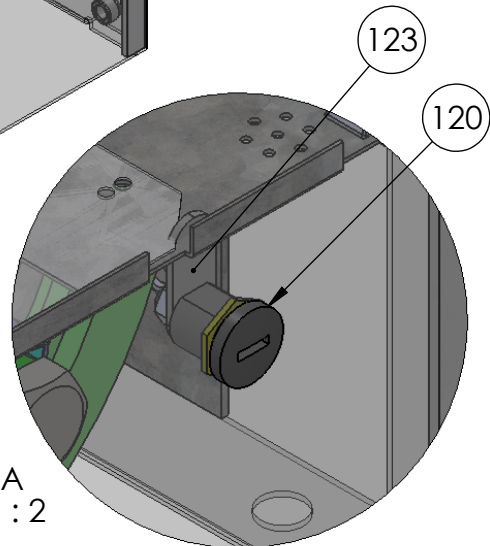
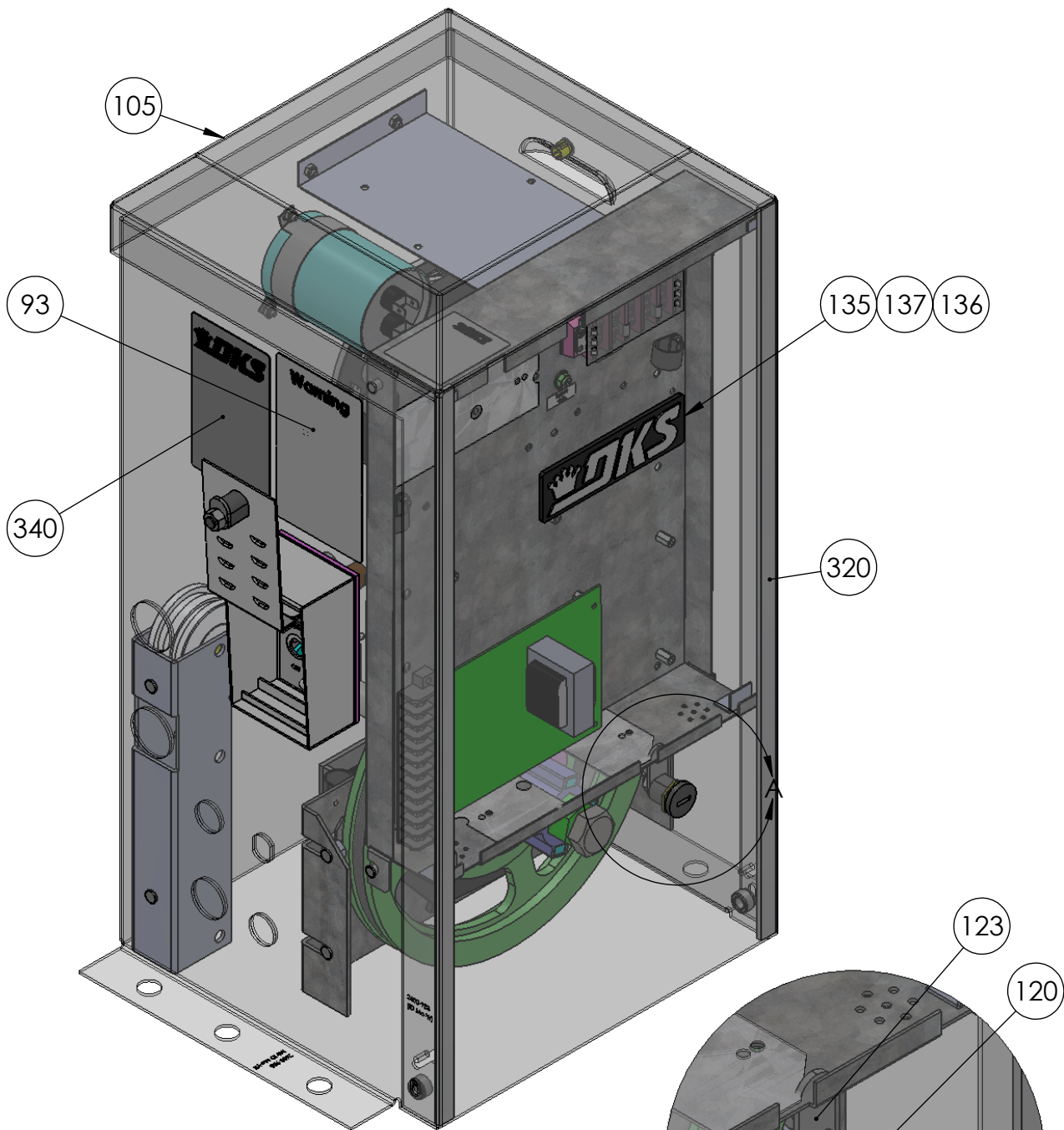
Replace 2600-126 Motor w/2600-129, 2600-234 Capacitor with 2600-102 and 2600-239 w/2600-875 Cap Clamp 5/2/12

DATE

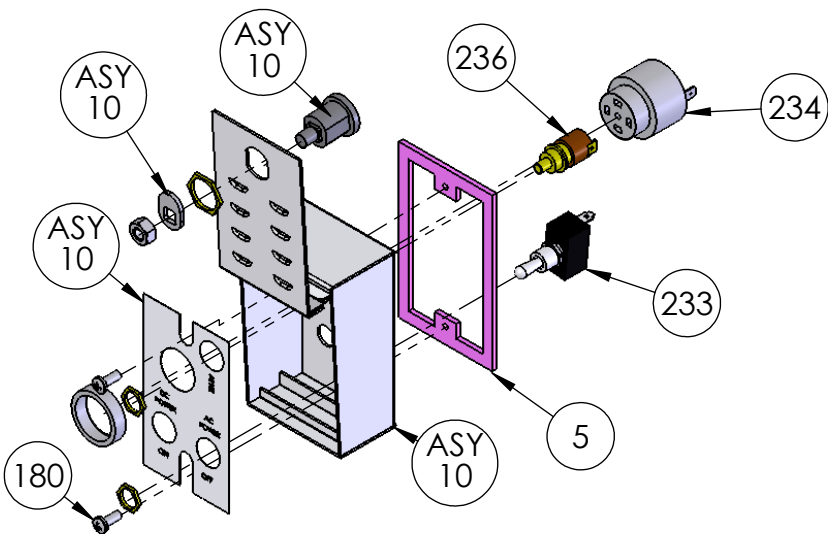
5/2/2012

APPROVED


D.C.



DETAIL A  
SCALE 1 : 2



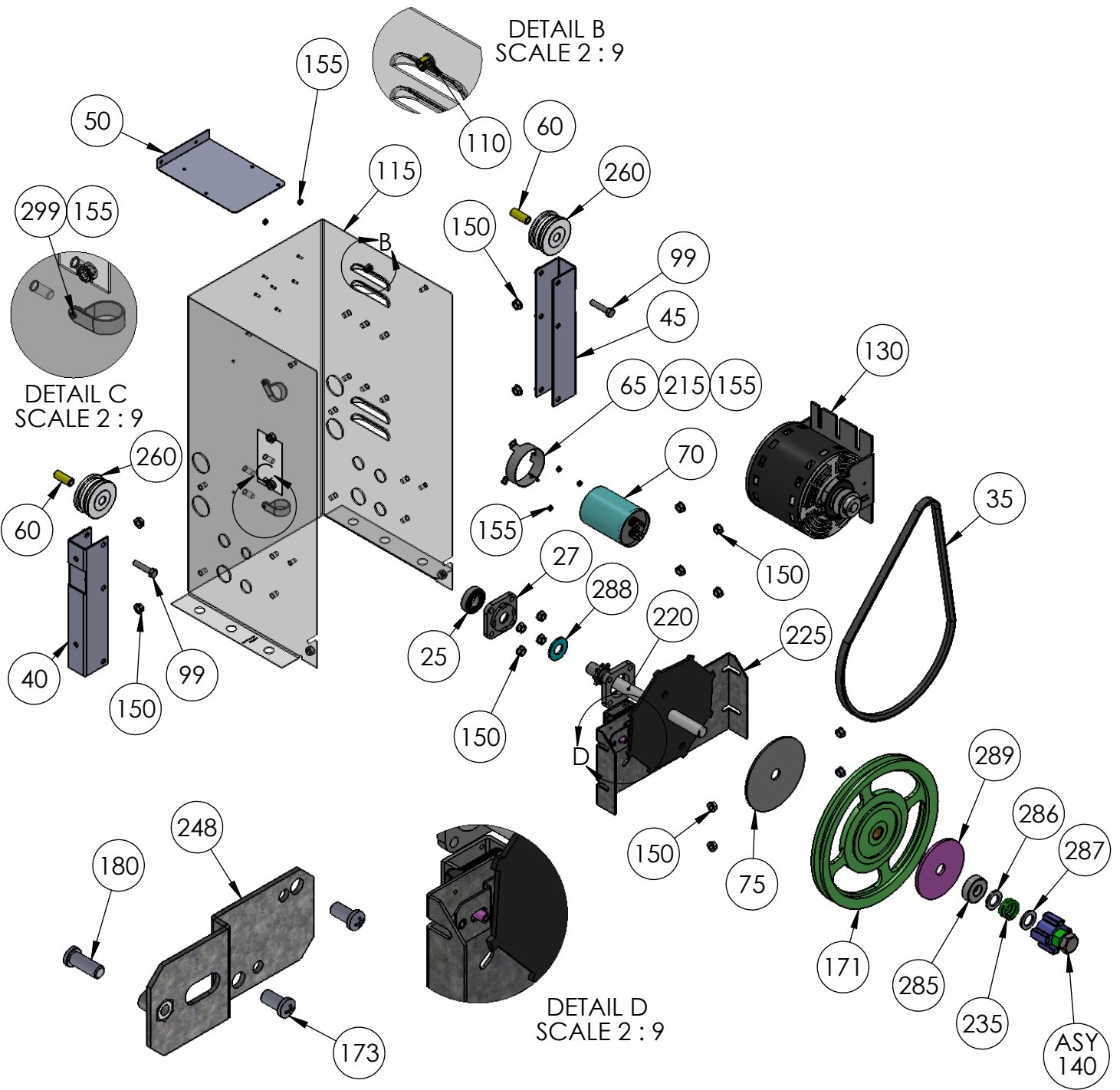
**PROPRIETARY AND CONFIDENTIAL**  
 THE INFORMATION CONTAINED IN THIS DRAWING IS THE  
 SOLE PROPERTY OF Door King.  
 ANY REPRODUCTION IN PART OR AS A WHOLE WITHOUT  
 THE WRITTEN PERMISSION OF Door King IS PROHIBITED.



Model 9050-080  
 1/2Hp 115 Volt

|                  |                 |                 |
|------------------|-----------------|-----------------|
| SIZE<br><b>A</b> | DWG<br>9050-880 | REV<br><b>J</b> |
| SCALE:1:8        | SHEET 1 of 5    |                 |

DETAIL B  
SCALE 2 : 9



DETAIL D  
SCALE 2 : 9

DETAIL C  
SCALE 2 : 9

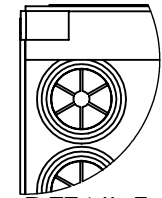
DETAIL E  
SCALE 1 : 4

**PROPRIETARY AND CONFIDENTIAL**  
THE INFORMATION CONTAINED IN THIS DRAWING IS THE  
SOLE PROPERTY OF Door King.  
ANY REPRODUCTION IN PART OR AS A WHOLE WITHOUT  
THE WRITTEN PERMISSION OF Door King IS PROHIBITED.

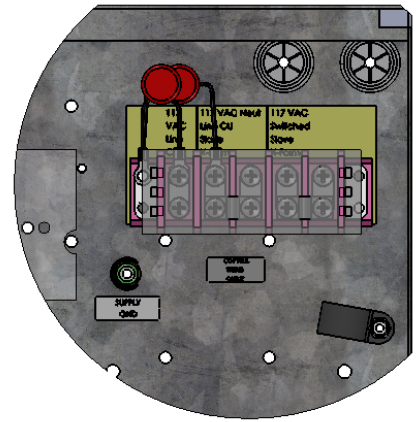
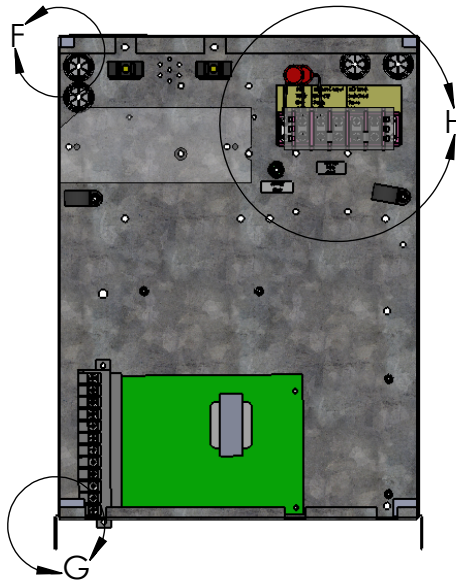


Model 9050-080  
1/2Hp 115Volt

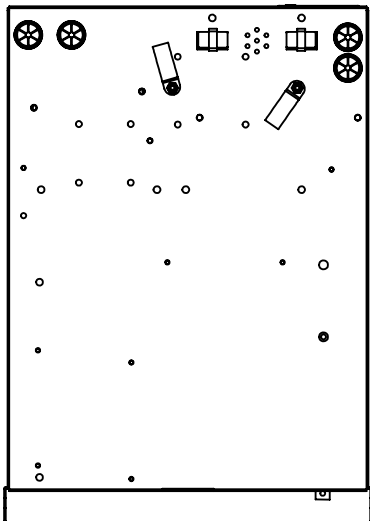
|            |          |              |
|------------|----------|--------------|
| SIZE       | DWG      | REV          |
| <b>A</b>   | 9050-880 | <b>J</b>     |
| SCALE: 1:2 |          | SHEET 2 of 5 |



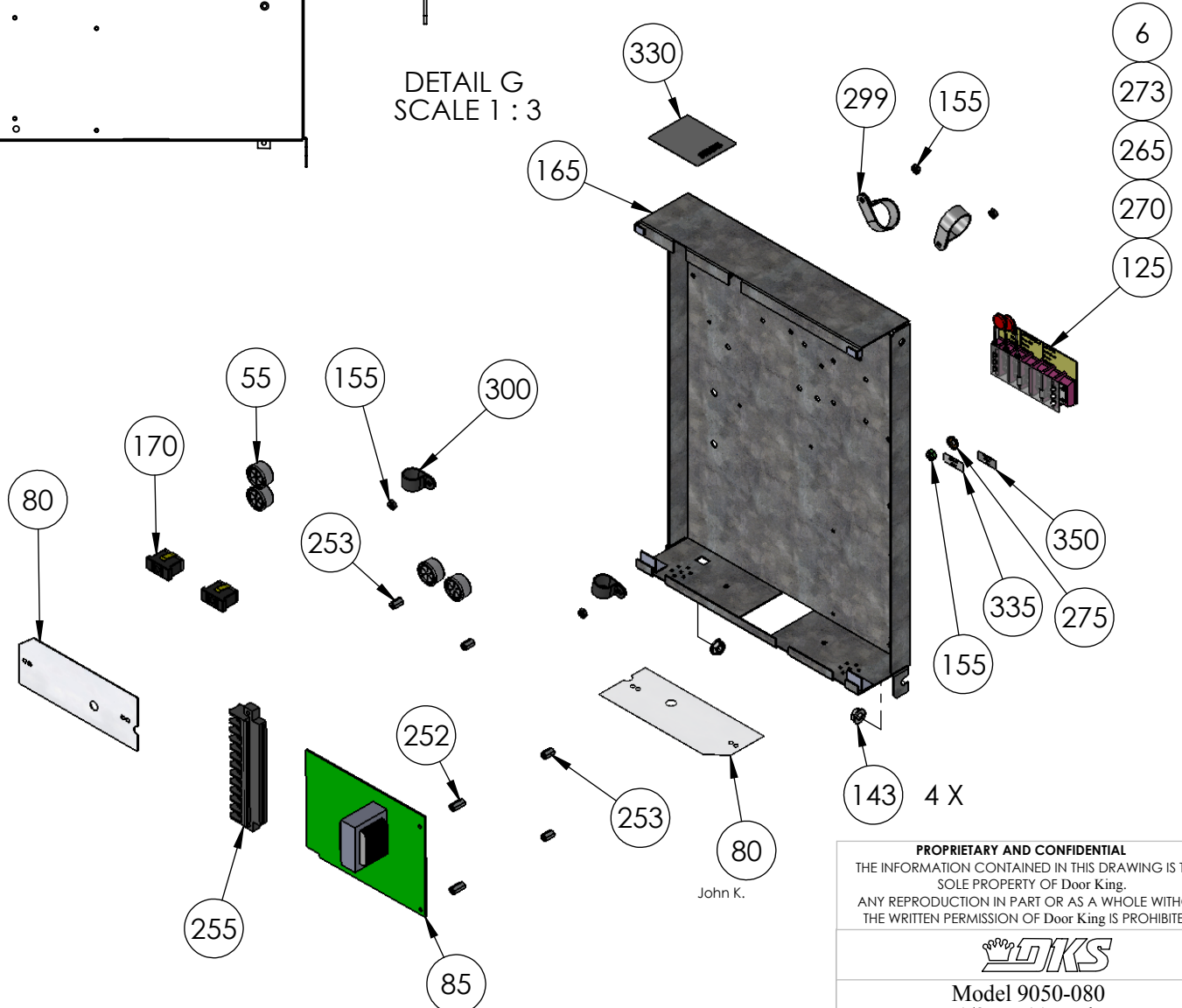
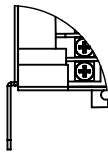
DETAIL F  
SCALE 1 : 2



DETAIL H  
SCALE 1 : 3




DETAIL G  
SCALE 1 : 3



John K.

**PROPRIETARY AND CONFIDENTIAL**  
 THE INFORMATION CONTAINED IN THIS DRAWING IS THE  
 SOLE PROPERTY OF Door King.  
 ANY REPRODUCTION IN PART OR AS A WHOLE WITHOUT  
 THE WRITTEN PERMISSION OF Door King IS PROHIBITED.



Model 9050-080  
 1/2 Hp 115Volt

|                  |                 |                 |
|------------------|-----------------|-----------------|
| SIZE<br><b>A</b> | DWG<br>9050-880 | REV<br><b>J</b> |
| SCALE: 1:4       | SHEET 3 of 5    |                 |

| ITEM | PART #   | QTY   | DESCRIPTION                    |
|------|----------|-------|--------------------------------|
| 1    | 9050-066 | 1 EA  | Manual Installation            |
| 5    | 2600-731 | 1 EA  | Gasket Switch Cover            |
| 6    | 4001-093 | 1 EA  | MOV Assembly 130VAC            |
| 10   | 2600-533 | 1 EA  | Switch Cover Dooring Lockable  |
| 15   | 2600-852 | 1 EA  | Accessory Box 9150 Operator    |
| 25   | 2600-440 | 1 EA  | Bearing Used in Slide Oper     |
| 27   | 2600-453 | 1 EA  | Bearing Holder Plastic Back    |
| 35   | 2600-429 | 1 EA  | Belt-Cogged, AX-35             |
| 40   | 2600-921 | 1 EA  | Idler Bracket Left             |
| 45   | 2600-922 | 1 EA  | Idler Bracket Right            |
| 50   | 2600-938 | 1 EA  | Radio Tray 9100                |
| 55   | 2600-810 | 4 EA  | Bushing 7/8 Poke Thru Flaps    |
| 60   | 2600-871 | 2 EA  | Bushing 1/2"ODx5/16"IDx1 5/16L |
| 65   | 2600-875 | 1 EA  | Capacitor Mounting Clamp       |
| 70   | 2600-102 | 1 EA  | Capacitor 50uf 370VAC          |
| 75   | 2600-342 | 1 EA  | Clutch Pad 4" OD               |
| 80   | 2600-945 | 2 EA  | Cover Plastic Insulator        |
| 85   | 4702-010 | 1 EA  | PCB Slide Gate Operator        |
| 93   | 2599-034 | 1 EA  | Label Gate Operator            |
| 99   | 2615-155 | 2 EA  | Bolt Hex Head 5/16-18 x 1 3/4  |
| 100  | 2615-153 | 4 EA  | Bolt Hex Head 5/16-18 x 3/4    |
| 105  | 2600-933 | 1 EA  | Door Model 9050 9070 9100      |
| 110  | 2600-880 | 1 EA  | Hole Plug Plastic for 3/8 Hole |
| 115  | 2600-985 | 1 EA  | Housing-Model 9050 9070 9100   |
| 120  | 4001-035 | 1 EA  | Lock N16058BDxSfx2K Key 16120  |
| 123  | 1702-503 | 1 EA  | Cam 1.1/4                      |
| 125  | 2600-431 | 1 EA  | Marker Strip Silkscreened      |
| 130  | 2600-129 | 1 EA  | Motor Assy 1/2 HP 6100-9100    |
| 134  | 7082-137 | 1 EA  | Wire 5" Green Stranded 14AWG   |
| 135  | 2600-732 | 1 EA  | Nameplate Plastic DKS Big      |
| 136  | 2802-040 | 2 EA  | Washer Push on Clamp           |
| 137  | 1897-050 | 2 EA  | Gasket Support Thick 1/16"     |
| 140  | 2600-917 | 1 EA  | Jam Nut Magnet Subassy 910/915 |
| 143  | 2620-409 | 4 EA  | Nut Hex Flange Lock 1/4-20     |
| 145  | 2902-006 | 2 EA  | Nut Nylon Lock 10-32           |
| 147  | 2902-004 | 1 EA  | Nut Nylon Lock 8-32            |
| 150  | 2620-411 | 16 EA | Nut Hex Flange Lock 5/16-18    |
| 155  | 2902-003 | 12 EA | Nut Nylon Lock 6-32            |
| 165  | 2600-911 | 1 EA  | Mount Plate-PC Board 910       |
| 170  | 1200-028 | 2 EA  | Outlet Snap-In Leviton 1306    |
| 171  | 2600-957 | 1 EA  | Pulley 10 inch Aluminum Assy   |
| 173  | 2616-051 | 2 EA  | Screw Phillips 10-32x3/8       |
| 180  | 2616-052 | 1 EA  | Screw Phillips Head 10-32 x1/2 |
| 185  | 2616-019 | 1 EA  | Screw Phillips Head 8-32 x 3/4 |
| 190  | 2616-002 | 2 EA  | Screw Phillips Head 6-32 x 1/2 |
| 195  | 2616-003 | 1 EA  | Screw Phillips Head 6-32x3/4SS |
| 200  | 2616-000 | 10 EA | Screw Phillips Head 6-32 x 1/4 |
| 205  | 2616-007 | 2 EA  | Screw Phillips Head 6-32x5/8"  |
| 210  | 2600-887 | 4 EA  | Screw Nylon Phillips 6-32x1/4" |
| 215  | 2616-001 | 4 EA  | Screw Phillips Head 6-32 x 3/8 |
| 220  | 2600-903 | 1 EA  | Main Shaft Assembly            |
| 225  | 2600-930 | 1 EA  | Bracket Shaft Support 9100     |
| 230  | 2600-860 | 1 EA  | Solenoid Lock Assy 91XX        |
| 233  | 1601-041 | 1 EA  | Switch Toggle SPST 2POS        |
| 234  | 1506-071 | 1 EA  | Tone Generator Loud            |
| 235  | 2600-446 | 1 EA  | Spring-Compression             |

IPB 9050-880 Rev G  
 (Model and Movex No. 9050-080 Rev G)

| ITEM | PART #   | QTY   | DESCRIPTION                    |
|------|----------|-------|--------------------------------|
| 236  | 1812-005 | 1 EA  | Switch Push Button N.O.        |
| 248  | 2600-487 | 1 EA  | Bracket Solenoid Support       |
| 252  | 1894-110 | 2 EA  | Standoff Nylon 1/2"Ht 6-32 Thd |
| 253  | 2900-905 | 4 EA  | Standoff Aluminum 7/16" 6-32   |
| 255  | 2600-826 | 1 EA  | Terminal 12 Pin                |
| 260  | 2600-886 | 2 EA  | Idler Wheel UHMW               |
| 265  | 2600-840 | 2 EA  | Jumper- Ring Tongue #8 Screw   |
| 270  | 3130-008 | 1 EA  | Terminal Block 5 pin           |
| 273  | 3129-005 | 1 EA  | Terminal Block Cover 5 Positio |
| 275  | 2600-439 | 1 EA  | Washer Cup - Brass             |
| 280  | 2620-053 | 2 EA  | Lockwasher 5/16"               |
| 285  | 2600-053 | 1 EA  | Bearing - Thrust 3/4 ID        |
| 286  | 2600-345 | 1 EA  | Washer Hardened 1 1/4 x 3/4 ID |
| 287  | 2600-344 | 1 EA  | Washer 1 1/8"OD x 3/4"ID       |
| 288  | 2600-990 | 1 EA  | Washer Neoprene 1.5"x.725"x125 |
| 289  | 2620-035 | 1 EA  | Washer 4"ODx3/4"ID             |
| 298  | 2600-989 | 1 EA  | Wire Set 9050 9070 Operator    |
| 299  | 2600-639 | 4 EA  | Wire Clamp-1"                  |
| 300  | 2600-619 | 4 EA  | Wire Clp-5/8" Concord 770-1209 |
| 315  | 1804-031 | 10 EA | Tie Wrap 4"                    |
| 317  | 2600-749 | 2 EA  | Wire Connector STA-KON RC6     |
| 320  | 4001-018 | 7 FT  | Weather Stripping 50' rolls    |
| 330  | 2599-008 | 1 EA  | Label Patent                   |
| 335  | 2599-006 | 1 EA  | Decal SUPPLY GND               |
| 340  | 2599-199 | 1 EA  | Label Universal                |
| 350  | 2599-014 | 1 EA  | Decal Copper Wire Only         |
| 355  | 2560-047 | 1 EA  | Information Packet 9050/9070   |
| 360  | 2599-100 | 2 EA  | Sign Warning                   |